

**Lavavajillas de capota  
Lave-vaisselle d' capot  
Pass-through dishwasher  
Durchschub geschirrspüler  
Lavastoviglie a cappuccio  
Lava-louças de capota**

**Modelos:**

**TECH-H500**

**TECH-H500 B**

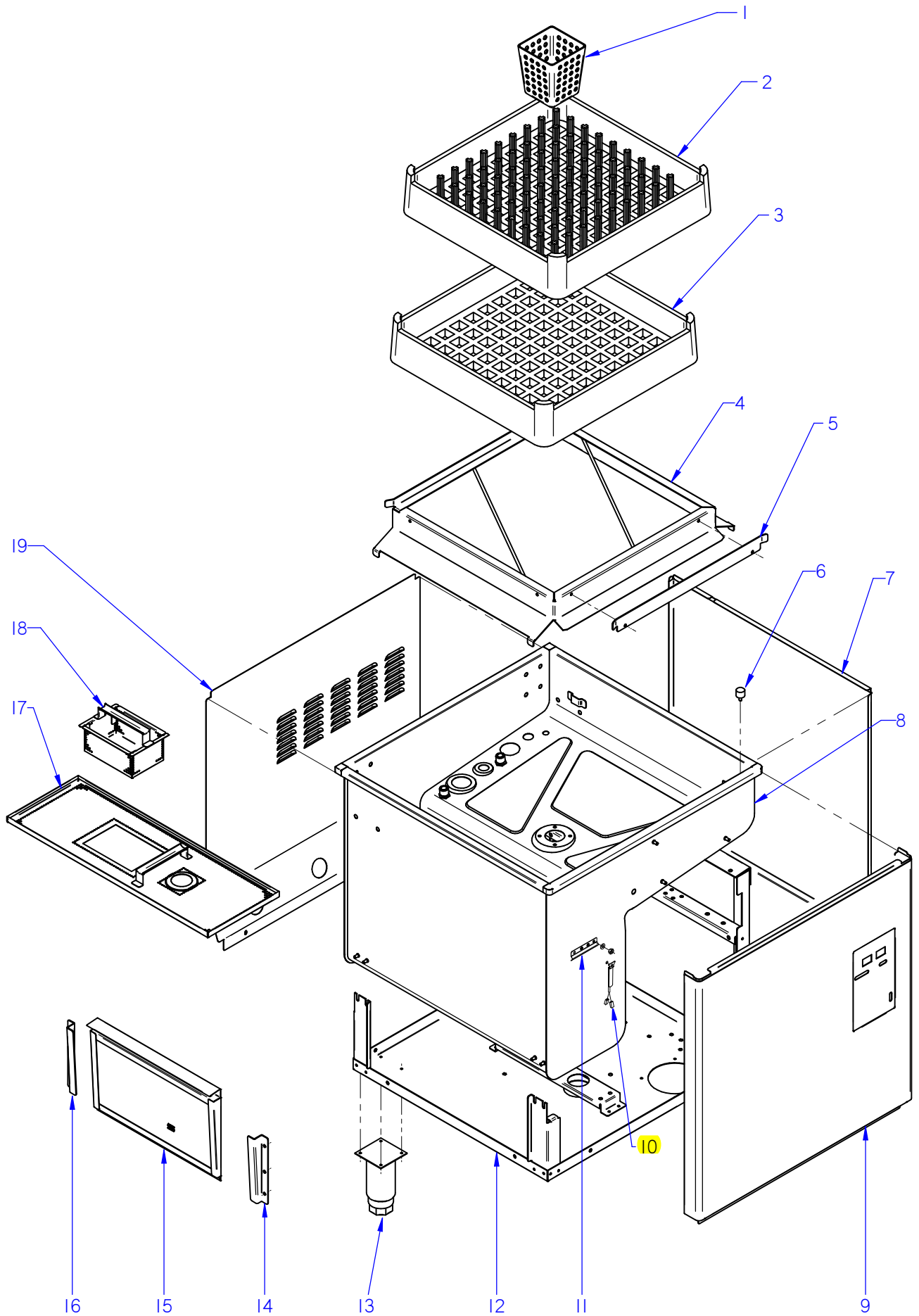
**TECH-H500 DD**

**TECH-H500 HP**

**TECH-H500 HP W B DD**

*Diciembre 2013 December*

**asber** 

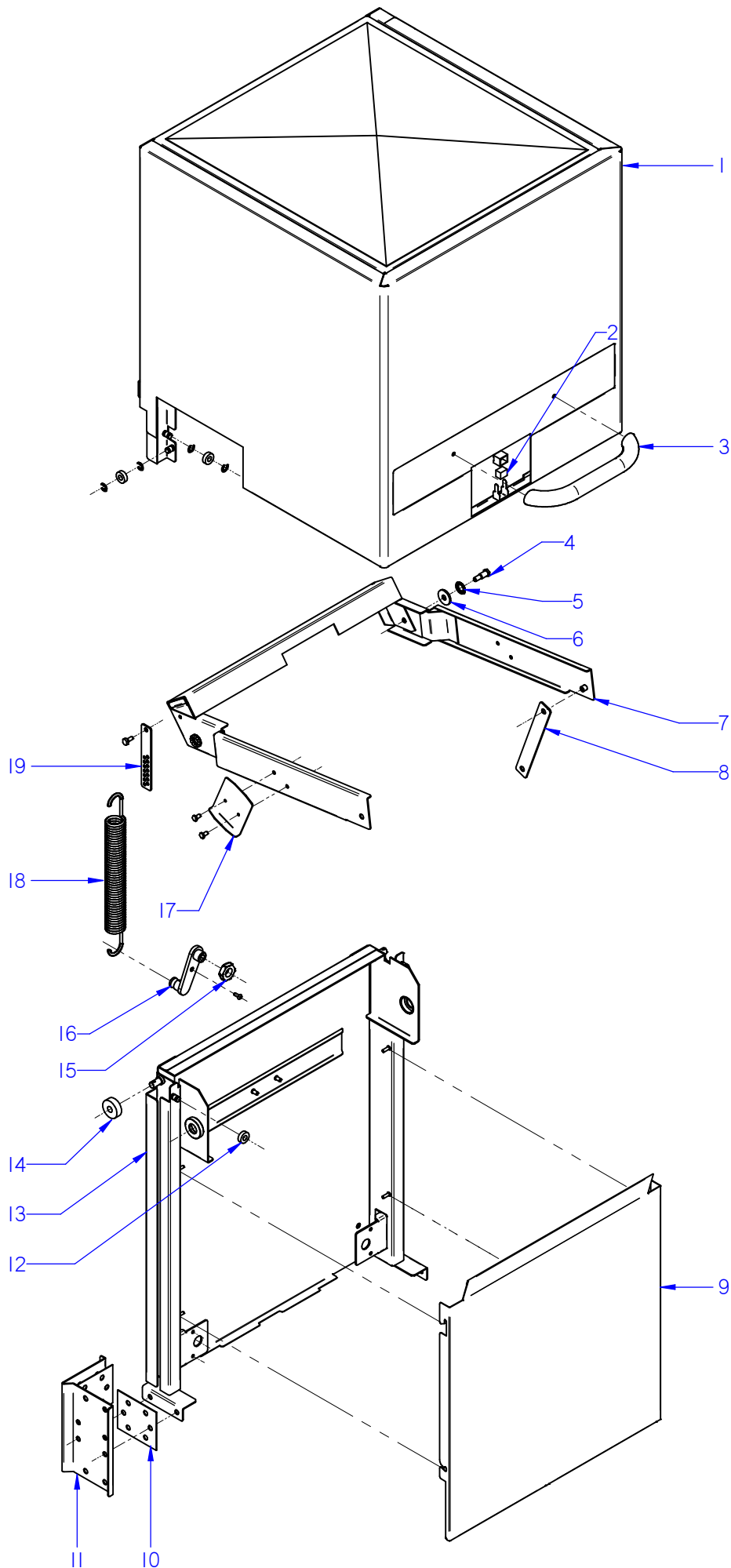


ITEM MARCADO EN COLOR = REPUESTO RECOMENDADO  
 COLOURED ITEM = RECOMMENDED SPARE PART

N plano	Firma	Fecha	Aparato	MUEBLE / FITTING	Lamina	
C-3177	<i>(Signature)</i>	2013-12	LAVAVAJILLAS TECH-H500		1	

MOD.		LAVAVAJILLAS DE CAPOTA PASS THROUGH DISHWASHER	ZONA / ZONE	MUEBLE / FITTING					PLANO DIAGRAM	C-3177			
ITEM	CODIGO REFERENCE	DENOMINACION	DENOMINATION	TECH-H500	TECH-H500 B	TECH-H500 DD	TECH-H500 HP	TECH-H500 HP W B DD			ELIMINADO ELIMINATED	INTRODUCID. INTRODUCED	NOTAS
1	12023745	CESTILLO CUBIERTOS	CUTLERY BASKET	2	2	2	2	2					
2	12024990	CESTILLO PLATOS CP-16-18	PLATE BASKET CP-16-18	1	1	1	1	1					
3	12025011	CESTILLO BASE CT-10	BASE BASKET CT-10	1	1	1	1	1					
4	12038455	BASE CESTILLO COMPLETA	COMPLETE BASKET BASE	1	1	1	1	1					
5	12021776	GUIA CESTILLO	BASKET GUIDE	1	1	1	1	1					
	Q152004000	TORNILLO APLAST. M5x13 A304	MUSHROOM HEAD BOLT M5x13 A	2	2	2	2	2					
	Q242030000	ARANDELA ABANICO A5 A.304	FAN WASHER A5 A.304	2	2	2	2	2					
	Q162030000	TUERCA EXAGONAL M5	HEXAGONAL NUT M5	2	2	2	2	2					
	Q308000000	ARANDELA DUBO A.8	DUBO A.8 WASHER	14	14	14	14	14					
6	12025159	AMORTIGUADOR	DAMPER	2	2	2	2	2					
	Q262040000	ARANDELA GROW. A6 A.304	WASHER GROW. A6 A.304	2	2	2	2	2					
	Q162040000	TUERCA EXAGONAL M6	HEXAGONAL NUT M6	2	2	2	2	2					
	Q012073000	TORNILLO EXAGONAL M12x20	HEXAGONAL BOLT M12x20	1	1	1	1	1					
	12010260	JUNTA 18x12.2x1.5	SEAL 18x12.2x1.5	1	1	1	1	1					
	Q162070000	TUERCA EXAGONAL M12	HEXAGONAL NUT M12	1	1	1	1	1					
7	12022805	PANEL LATERAL DERECHO	RIGHT SIDE PANEL	1	1	1	1	1					
	Q152004000	TORNILLO APLAST. M5x13 A304	MUSHROOM HEAD BOLT M5x13 A	2	2	2	2	2					
S/Nº	12022806	PANEL LATERAL IZQUIERDO	LEFT SIDE PANEL	1	1	1	1	1					
	Q152004000	TORNILLO APLAST. M5x13 A304	MUSHROOM HEAD BOLT M5x13 A	2	2	2	2	2					
8	12049424	CUBA COMPLETA	COMPLETE TUB	1	1	1	-	-					
8	12049394	CUBA COMPLETA	COMPLETE TUB	-	-	-	1	-					
8	12091124	CUBA COMPLETA	COMPLETE TUB	-	-	-	-	1					
	Q232040000	ARANDELA A6	WASHER A6	4	4	4	4	4					
	Q302022000	ARANDELA 16x6x1.2 A.304	WASHER 16X6X1.2 A.304	4	4	4	4	4					
	Q262040000	ARANDELA GROW. A6 A.304	WASHER GROW. A6 A.304	8	8	8	8	8					
	Q162040000	TUERCA EXAGONAL M6	HEXAGONAL NUT M6	8	8	8	8	8					
9	12091575	PANEL FRONTAL	FRONT PANEL	1	1	1	1	1					
10	12025036	SONDA 64KOhmio NTC	SENSOR 64KOhmio NTC	1	1	1	1	1					
S/Nº	12023142	AMARRE SONDA	PROBE FASTENING	1	1	1	1	1					
	Q242020000	ARANDELA ABANICO A.4 A304	FAN WASHER A.4 A304	1	1	1	1	1					
	Q162020000	TUERCA EXAGONAL M4	HEXAGONAL NUT M4	1	1	1	1	1					

MOD.		LAVAVAJILLAS DE CAPOTA PASS THROUGH DISHWASHER		ZONA / ZONE		MUEBLE / FITTING					PLANO DIAGRAM		C-3177	
ITEM	CODIGO REFERENCE	DENOMINACION	DENOMINATION	TECH-H500	TECH-H500 B	TECH-H500 DD	TECH-H500 HP	TECH-H500 HP W B DD				ELIMINADO ELIMINATED	INTRODUCID. INTRODUCED	NOTAS
11	12023117	SOPORTE BULBO TERMOSTATO	THERMOSTAT BULB SUPPORT	1	1	1	1	1						
	Q162040000	TUERCA EXAGONAL M6	HEXAGONAL NUT M6	2	2	2	2	2						
	Q232040000	ARANDELA A6	WASHER A6	2	2	2	2	2						
	Q262040000	ARANDELA GROW. A6 A.304	WASHER GROW. A6 A.304	2	2	2	2	2						
12	12005368	ARMAZON COMPLETO	COMPLETE FRAME	1	1	1	1	—						
12	12005278	ARMAZON COMPLETO	COMPLETE FRAME	—	—	—	—	1						
13	12009104	PATA REGULABLE	ADJUSTABLE LEG	4	4	4	4	4						
	Q411304000	REMACHE AVIBULB Ø4,8	AVIBULB RIVET Ø4.8	16	16	16	16	16						
14	12021859	GUIA FILTRO ANTERIOR	FRONT FILTER GUIDE	1	1	1	1	1						
	Q232040000	ARANDELA A6	WASHER A6	2	2	2	2	2						
	Q162040000	TUERCA EXAGONAL M6	HEXAGONAL NUT M6	2	2	2	2	2						
15	12048626	FILTRO	FILTER	1	1	1	1	1						
16	12021860	GUIA FILTRO POSTERIOR	REAR FILTER GUIDE	1	1	1	1	1						
	Q232040000	ARANDELA A6	WASHER A6	2	2	2	2	2						
	Q162040000	TUERCA EXAGONAL M6	HEXAGONAL NUT M6	2	2	2	2	2						
17	12038373	BANDEJA COMPLETA	COMPLETE TRAY	1	1	1	1	1						
18	12038374	RECOGEDOR DESPERDICIOS	WASTE COLLECTION	1	1	1	1	1						
19	12092762	PANEL POSTERIOR	REAR PANEL	1	1	1	1	1						
	11000069	PERFIL CUBREARISTAS PLASTICO	PLASTIC EDGE COVER PROFILE	3	3	3	3	3						
	Q152004000	TORNIL, APLASTADO M5x13 A304	FLAT HEADED BOLT M5x13 A304	2	2	2	2	2						
	12025287	TOPE 80x80x20	BUFFER 80x80x20	6	6	6	6	6						



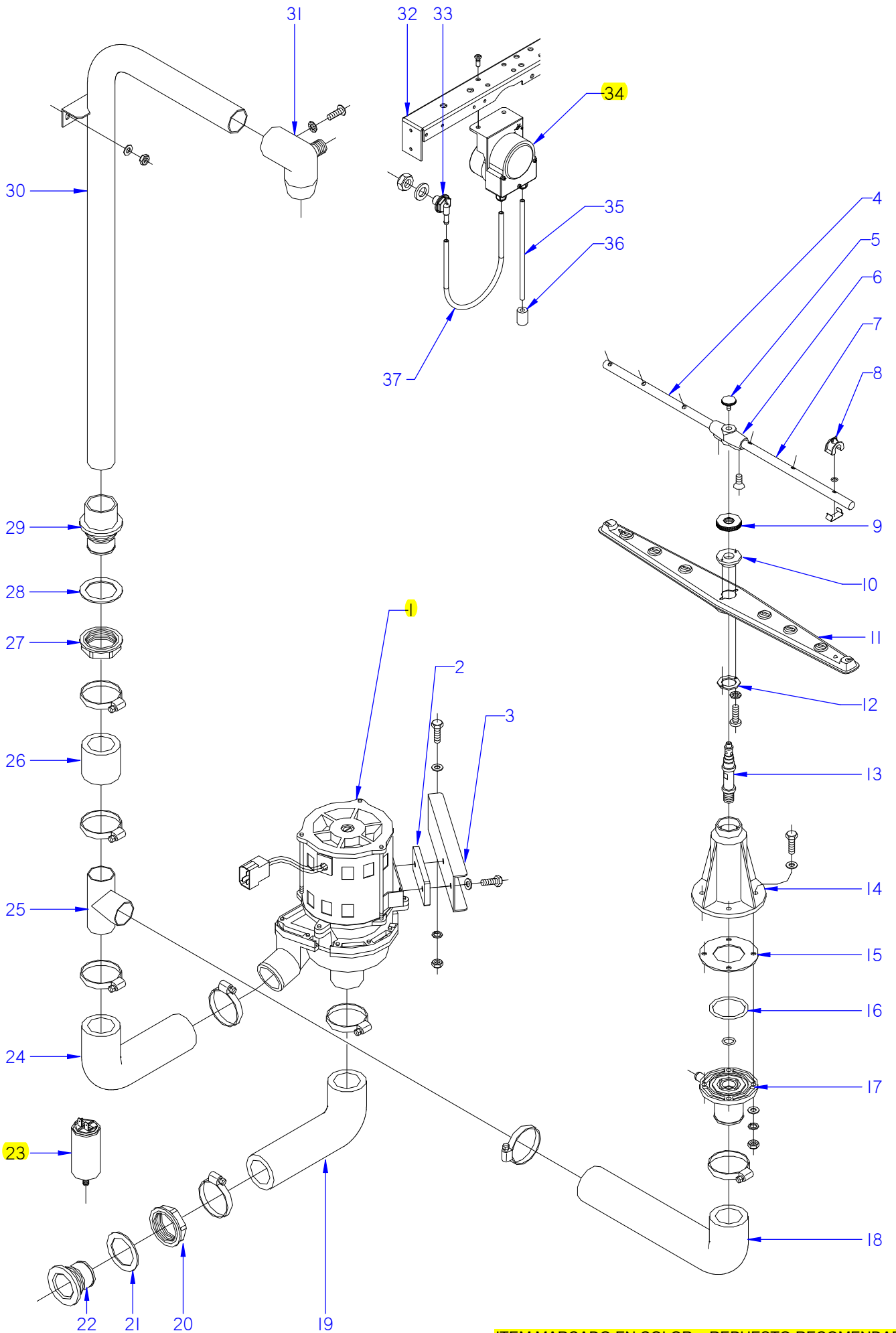
ITEM MARCADO EN COLOR = REPUESTO RECOMENDADO  
 COLOURED ITEM = RECOMMENDED SPARE PART

N plano	Firma	Fecha	Aparato	CAPO / HOOD	Lamina	
C-3178	<i>(Signature)</i>	2013-12	LAVAVAJILLAS	TECH-H500	2	

MOD.		LAVAVAJILLAS DE CAPOTA PASS THROUGH DISHWASHER	ZONA / ZONE	CAPO / HOOD					PLANO DIAGRAM	C-3178			
ITEM	CODIGO REFERENCE	DENOMINACION	DENOMINATION	TECH-H500	TECH-H500 B	TECH-H500 DD	TECH-H500 HP	TECH-H500 HP W B DD			ELIMINADO ELIMINATED	INTRODUCID. INTRODUCED	NOTAS
1	12005238	CAPO COMPLETO	COMPLETE HOOD	1	1	1	1	1					
	12025255	CASQUILLO RODANTE	REVOLVING BUSHING	4	4	4	4	4					
	12010014	ARANDELA DE SEGURIDAD 8	SAFETY WASHER 8	8	8	8	8	8					
2	12024303	IMAN	MAGNET	1	1	1	1	1					
S/Nº	12024094	PROTECTOR IMAN	MAGNET PROTECTOR	1	1	1	1	1					
3	12024005	ASA PUERTA	ASA DOOR	1	1	1	1	1					
4	12023966	EJE DE GIRO	ROTARY SHAFT	2	2	2	2	2					
5	12024032	RODAMIENTO 6200-2RS1	BEARING 6200-2RS1	2	2	2	2	2					
6	12009922	ARANDELA 30x10x3	WASHER 30x10x3	2	2	2	2	2					
7	12038365	BALANCIN COMPLETO	COMPLETE ROCKER ARM	1	1	1	1	1					
	Q232050000	ARANDELA A8	WASHER A8	2	2	2	2	2					
	Q262050000	ARANDELA GROW. A8 A.304	WASHER GROW. A8 A.304	2	2	2	2	2					
	Q162050000	TUERCA EXAGONAL M8x1 INOX.	HEXAGONAL NUT M8x1 INOX.	2	2	2	2	2					
8	12021883	BIELA	ROD	2	2	2	2	2					
	12009922	ARANDELA 30x10x3	WASHER 30x10x3	8	8	8	8	8					
	Q232040000	ARANDELA A6	WASHER A6	4	4	4	4	4					
	Q262040000	ARANDELA GROW. A6 A.304	WASHER GROW. A6 A.304	4	4	4	4	4					
	Q012041000	TORNILLO EXAGON. M6x10 A.304	HEXAGONAL BOLT. M6x10 A.304	4	4	4	4	4					
9	12022221	CUBIERTA RESORTES CLINIC	SPRING COVER	1	1	1	1	1					
10	12023517	JUNTA SOPORTE CAPO	HOOD SUPPORT SEAL	4	4	4	4	4					
	Q012053000	TORNILLO EXAGON. M8x20 A.304	HEXAGONAL BOLT. M8x20 A.304	10	10	10	10	10					
	Q013153000	TORNILLO EX M-8x20 LATON CRO.	HEX BOLT M-8x20 CHR. BRASS	4	4	4	4	4					
	Q232050000	ARANDELA A8	WASHER A8	14	14	14	14	14					
	Q262050000	ARANDELA GROW. A8 A.304	WASHER GROW. A8 A.304	14	14	14	14	14					
	Q162050000	TUERCA EXAG. M8x1 INOX.	HEXAG. SCREW M8x1 STAINLESS	10	10	10	10	10					
11	12021754	SOPORTE GUIA CAPO	HOOD GUIDE SUPPORT	2	2	2	2	2					
12	12025255	CASQUILLO RODANTE	REVOLVING BUSHING	4	4	4	4	4					
	12010014	ARANDELA DE SEGURIDAD 8	SAFETY WASHER 8	8	8	8	8	8					
13	12007312	GUIA CAPO COMPLETA	COMPLETE HOOD GUIDE	1	1	1	1	1					
14	12025210	CASQUILLO	BUSHING	2	2	2	2	2					
15	12009948	TUERCA EXAGONAL M20	HEXAGONAL BOLT M20	2	2	2	2	2					

MOD.	LAVAVAJILLAS DE CAPOTA PASS THROUGH DISHWASHER	ZONA / ZONE	CAPO / HOOD	PLANO DIAGRAM	C-3178
------	---	-------------	-------------	------------------	--------

ITEM	CODIGO REFERENCE	DENOMINACION	DENOMINATION	TECH-H500	TECH-H500 B	TECH-H500 DD	TECH-H500 HP	TECH-H500 HP W B DD				ELIMINADO ELIMINATED	INTRODUCID. INTRODUCED	NOTAS
16	12025166	TENSOR MUELLE	TENSIONING SPRING	2	2	2	2	2						
	Q152004000	TORNILLO APLAST. M5x13 A 304	MUSHROOM HEAD BOLT M5x13	2	2	2	2	2						
17	12021941	ESCUADRA TOPE	BUFFER BRACKET	2	2	2	2	2						
	Q012041000	TORNILLO EXAGON. M6X10 A.304	HEXAGONAL BOLT. M6X10 A.304	4	4	4	4	4						
	Q242040000	ARANDELA ABANICO	FAN WASHER	4	4	4	4	4						
18	12024948	RESORTE 29230	SPRING 29230	2	2	2	2	2						
19	12021923	ENGANCHE MUELLE	SPRING HOOK	2	2	2	2	2						
	12023624	EJE ENGANCHE MUELLE	SPRING HOOK SHAFT	2	2	2	2	2						
	Q232040000	ARANDELA A6	WASHER A6	2	2	2	2	2						
	Q222012000	TUERCA AUTOB. M6	SELF-LOCK NUT M6	2	2	2	2	2						



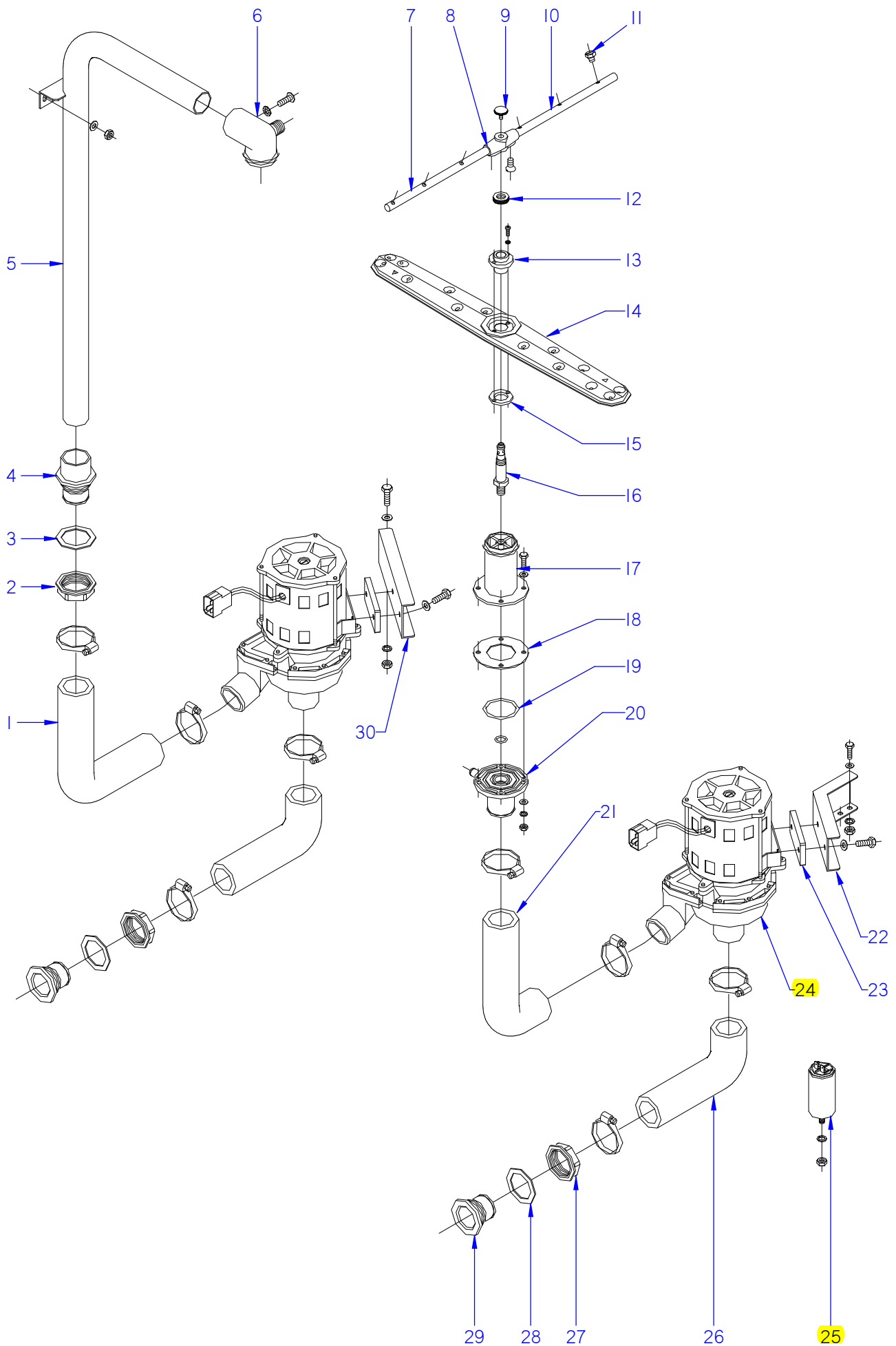
ITEM MARCADO EN COLOR = REPUESTO RECOMENDADO  
 COLOURED ITEM = RECOMMENDED SPARE PART

N plano	Firma	Fecha	Aparato	PARTE FUNCIONAL LAVADO / WASH FUNCTIONAL PART	Lamina	
C-3179	name (signature)	2013-12	LAVAVAJILLAS	TECH-H500	3	



MOD.		LAVAVAJILLAS DE CAPOTA PASS THROUGH DISHWASHER		ZONA / ZONE		PARTE FUNCIONAL LAVADO WASH FUNCTIONAL PART						PLANO DIAGRAM		C-3179	
ITEM	CODIGO CODE	DENOMINACION	NAME	TECH-H500	TECH-H500 B	TECH-H500 DD						ELIMINADO ELIMINATED	INTRODUCID. INTRODUCED	NOTAS	
1	12024265	BOMBA DE LAVADO	WASH PUMP	1	1	1									
1	12024270	BOMBA DE LAVADO 60 HZ.	WASH PUMP 60 Hz.	1	1	1									
2	12023556	BASE BOMBA LAVADO 1003016	WASH PUMP BASE 1003016	1	1	1									
	Q232040000	ARANDELA A6	WASHER A6	2	2	2									
	Q012042000	TORNILLO EXAGONAL M6x15	HEXAGONAL BOLT M6x15	2	2	2									
3	12022471	SOPORTE MOTOBOMBA POSTER.	REAR MOTOR PUMP SUPPORT	1	1	1									
4	12023524	RAMA ACLARADO IZQUIERDA	LEFT RINSE BRANCH	2	2	2									
5	12009829	TORNILLO ESPECIAL M.5x0.8	SPECIAL BOLT M.5X0.8	2	2	2									
6	12024470	SOPORTE RAMA ACLARADO COM.	COM. RINSE BRANCH SUPPORT	2	2	2									
	Q042021000	TORNILLO AVELLAN. M4x10 A304	COUNTERSUNK BOLT M4x10 A304	4	4	4									
7	12023527	RAMA ACLARADO DERECHA	RIGHT RINSE BRANCH	2	2	2									
8	12024077	TOBERA ACLARADO	RINSE NOZZLE	12	12	12									
9	12024375	TUERCA ESPECIAL	SPECIAL NUT	2	2	2									
10	12045103	ENGANCHE DISTRIBUIDOR	DISTRIBUTOR CATCH	2	2	2									
11	12025122	DISTRIBUIDOR COMPLETO	COMPLETE DISTRIBUTOR	2	2	2									
12	12024289	AMARRE ENGANCHE DISTRIBUID.	ANCHORAGE DISTRIBUTOR	2	2	2									
	Q032011000	TORNILLO ALOMADO M3x10	CURVED SCREW M3X10	4	4	4									
	Q242010000	ARANDELA ABANICO A3 A.304	FAN WASHER A3 A.304	4	4	4									
13	12023844	EJE CENTRAL	CENTRAL SHAFT	2	2	2									
14	12025170	SOPORTE DISTRIBUIDOR INFER.	LOWER DISTRIBUTION SUPPORT	1	1	1									
15	12024227	JUNTA DE GOMA	RUBBER SEAL	1	1	1									
16	12010118	JUNTA TORICA 47.22x54.28x3.53	O-RING 47.22x54.28x3.53	1	1	1									
	12009837	JUNTA TORICA 13.94x19.18x2.6	O-RING 13.94x19.18x2.6	1	1	1									
17	12024312	PASAMUROS	BUSHING	1	1	1									
	Q012044000	TORNILLO EXAGONAL M6x25	HEXAGONAL BOLT M6x25	4	4	4									
	Q306050000	ARANDELA 6x12x1.5	WASHER 6x12x1.5	4	4	4									
	Q232040000	ARANDELA A6	WASHER A6	4	4	4									
	Q262040000	ARANDELA GROW. A6 A.304	WASHER GROW. A6 A.304	4	4	4									
	Q162040000	TUERCA EXAGONAL M6	HEXAGONAL NUT M6	4	4	4									
18	12023779	CONDUCTO INFERERIOR	LOWER PIPE	1	1	1									

MOD.		LAVAVAJILLAS DE CAPOTA PASS THROUGH DISHWASHER		ZONA / ZONE		PARTE FUNCIONAL LAVADO WASH FUNCTIONAL PART						PLANO DIAGRAM		C-3179	
ITEM	CODIGO CODE	DENOMINACION	NAME	TECH-H500	TECH-H500 B	TECH-H500 DD						ELIMINADO ELIMINATED	INTRODUCID. INTRODUCED	NOTAS	
19	12023625	CONDUCTO ASPIRACION	EXTRACTOR PIPE	1	1	1									
	12009962	ABRAZADERA 40-60	CLAMP 40-60	4	4	4									
20	12023537	TUERCA PASAMUROS	WALL BUSHING NUT	1	1	1									
21	12009960	ARANDELA 60x44x2	WASHER 60x44x2	1	1	1									
22	12025261	PASAMUROS ASPIRACION	EXTRACTOR BUSHING	1	1	1									
23	12024376	CONDENSADOR 10 M,F,	CONDENSER 10 M,F,	1	1	1									
	Q162050000	TUERCA EXAGONAL M8x1 INOX,	HEXAGONAL NUT M8x1 INOX.	2	2	2									
24	12023698	CONDUCTO IMPULSION	IMPULSE PIPE	1	1	1									
	12009962	ABRAZADERA 40-60	CLAMP 40-60	2	2	2									
25	12023558	TE IMPULSION	IMPULSE T	1	1	1									
26	12023567	CONDUCTO SUPERIOR	UPPER PIPE	1	1	1									
	12009962	ABRAZADERA 40-60	CLAMP 40-60	2	2	2									
27	12023537	TUERCA PASAMUROS	WALL BUSHING NUT	1	1	1									
28	12009960	ARANDELA 60x44x2	WASHER 60x44x2	1	1	1									
29	12023755	PASAMUROS ARBOL LAVADO	WASH CAM BUSHING	1	1	1									
	12010172	JUNTA TORICA 43,01x37,77x2,62	O-RING 43,01x37,77x2,62	-	-	-									
30	12006587	ARBOL LAVADO COMPLETO	COMPLETE WASH CAM	1	1	1									
	Q232040000	ARANDELA A6	WASHER A6	2	2	2									
	Q162040000	TUERCA EXAGONAL M6	HEXAGONAL NUT M6	2	2	2									
31	12024927	SOPORTE DISTRIBUIDOR SUPER.	UPPER DISTRIBUTION SUPPORT	1	1	1									
	Q152004000	TORNILLO APLAST. M5x13 A.304	MUSHROOM HEAD BOLT M5x13 A	1	1	1									
	Q242030000	ARANDELA ABANICO A5 A.304	FAN WASHER A5 A.304	1	1	1									
32	-----	TRAVESAÑO		-	-	1									
33	12024531	PASAMUROS DETERGENTE INOX	DETERGENT WALL BUSHING	-	-	1									
34	12024216	DOSIFIC. DGTE REGULABLE G300	DOSEFOR DETERGENT	-	-	1									
35	12024139	CONDUCTO ASPIRACIÓN	CONDUIT	-	-	1									
36	12024353	PESO FILTRO		-	-	1									
37	11000079	CONDUCTO DOSIFICA FOR 6X4	DOSEFOR CONDUIT 6X4	-	-	1									

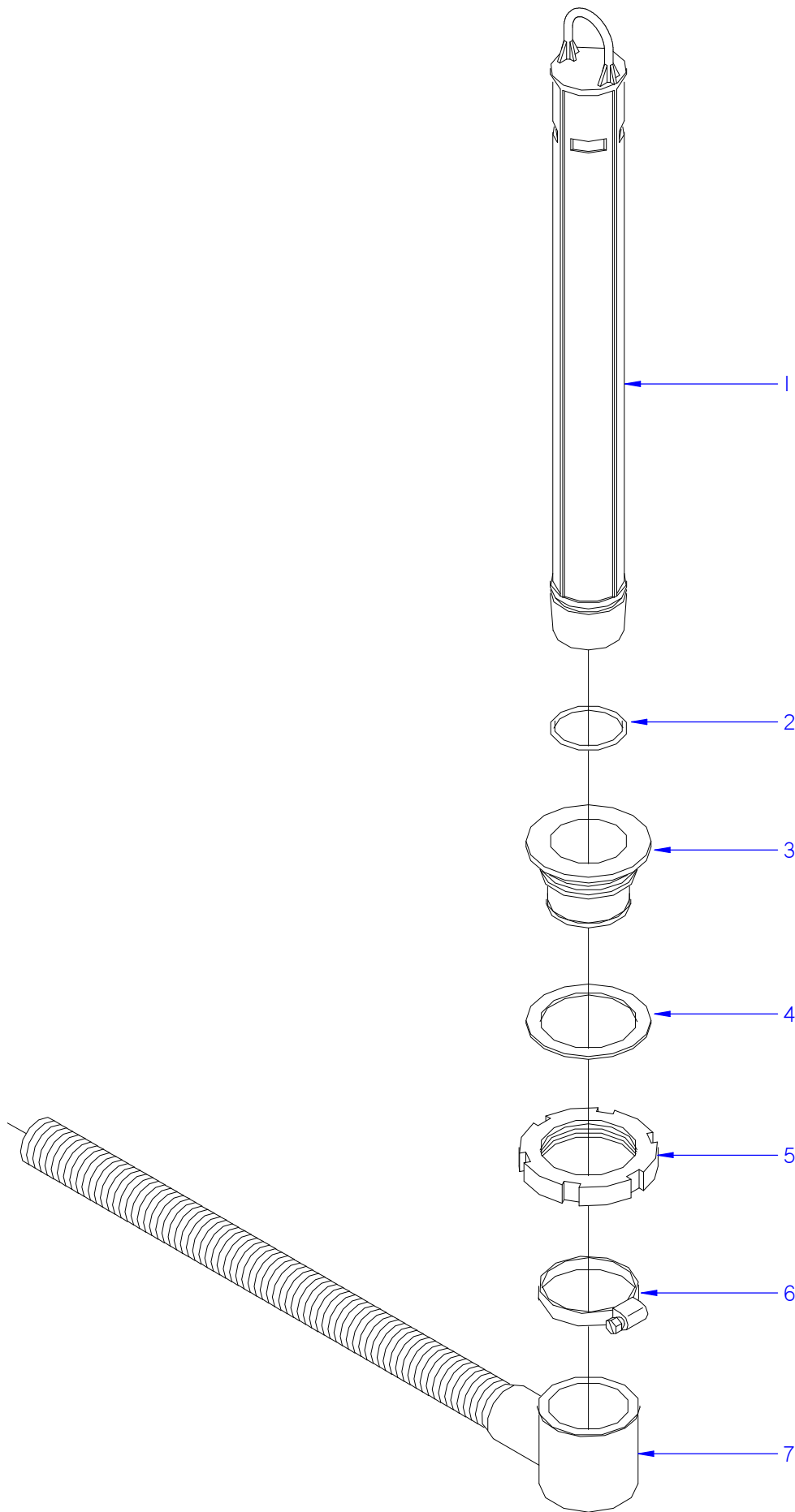


ITEM MARCADO EN COLOR = REPUESTO RECOMENDADO  
 COLOURED ITEM = RECOMMENDED SPARE PART

N plano	Firma	Fecha	Aparato	PARTE FUNCIONAL LAVADO / WASH FUNCTIONAL PART	Lamina	
C-3180	<i>name Benfor</i>	2013-12	LAVAVAJILLAS TECH-H500 HP W B DD	4		

MOD.		LAVAVAJILLAS / DISWASHER	ZONA / ZONE	PARTE FUNCIONAL LAVADO WASH FUNCTIONAL PART							PLANO DIAGRAM	C-3180	
ITEM	CODIGO CODE	DENOMINACION	NAME	TECH-H500 HP	TECH-H500 HP W B DD						ELIMINADO ELIMINATED	INTRODUCID. INTRODUCED	NOTAS
1	12023519	CONDUCTO IMPULSION POSTER.	REAR IMPULSE PIPE	1	1								
	Q881307000	ABRAZADERA 40-60	CLAMP 40-60	2	2								
2	12023537	TUERCA PASAMUROS	WALL BUSHING NUT	1	1								
3	12009960	ARANDELA 60x44x2	WASHER 60x44x2	1	1								
4	12025029	PASAMUROS IMPULSION PRELAV.	PREWASH IMPULSE BUSHING	1	1								
	Q307065000	JUNTA TORICA 43,01x33,77x2.62	O-RING 43,01x33,77x2.62	1	1								
5	12006587	ARBOL LAVADO COMPLETO	COMPLETE WASH CAM	1	1								
	Q232040000	ARANDELA A6	WASHER A6	2	2								
	Q162040000	TUERCA EXAGONAL M6	HEXAGONAL NUT M6	2	2								
6	12024934	SOPORTE DISTRIBUIDOR SUPER.	UPPER DISTRIBUTION SUPPORT	1	1								
	Q152004000	TORNILLO APLAST. M5x13 A.304	MUSHROOM HEAD BOLT M5x13 A	1	1								
	Q242030000	ARANDELA ABANICO A5 A.304	FAN WASHER A5 A.304	1	1								
7	12023524	RAMA ACLARADO IZQUIERDA	LEFT RINSE BRANCH	2	2								
8	12024470	SOPORTE RAMA ACLARADO COM.	COM. RINSE BRANCH SUPPORT	2	2								
	Q042021000	TORNILLO AVELLAN. M4x10 A304	COUNTERSUNK BOLT M4x10 A30	4	4								
9	12009829	TORNILLO ESPECIAL M.5x0.8	SPECIAL BOLT M.5X0.8	2	2								
10	12023527	RAMA ACLARADO DERECHA	RIGHT RINSE BRANCH	2	2								
11	12024077	TOBERA ACLARADO	RINSE NOZZLE	12	12								
12	12023653	TUERCA ESPECIAL	SPECIAL NUT	2	2								
13	12025116	CASQUILLO DISTRIBUIDOR	DISTRIBUTOR BUSHING	2	2								
	Q032011000	TORNILLO ALOMADO M3x10	CURVED SCREW M3X10	4	4								
	Q242010000	ARANDELA ABANICO A3 A.304	FAN WASHER A3 A.304	4	4								
14	12038375	DISTRIBUIDOR COMPLETO	COMPLETE DISTRIBUTOR	2	2								
15	12023674	ARANDELA AMARRE	ANCHORAGE WASHER	2	2								
16	12023601	EJE CENTRAL	CENTRAL SHAFT	2	2								
17	12023652	SOPORTE DISTRIBUIDOR INFER.	LOWER DISTRIBUTION SUPPORT	1	1								
18	12024227	JUNTA DE GOMA	RUBBER SEAL	1	1								
19	12010118	JUNTA TORICA 47.22x54.28x3.53	O-RING 47.22x54.28x3.53	1	1								
	12009837	JUNTA TORICA 13.94x19.18x2.6	O-RING 13.94x19.18x2.6	1	1								

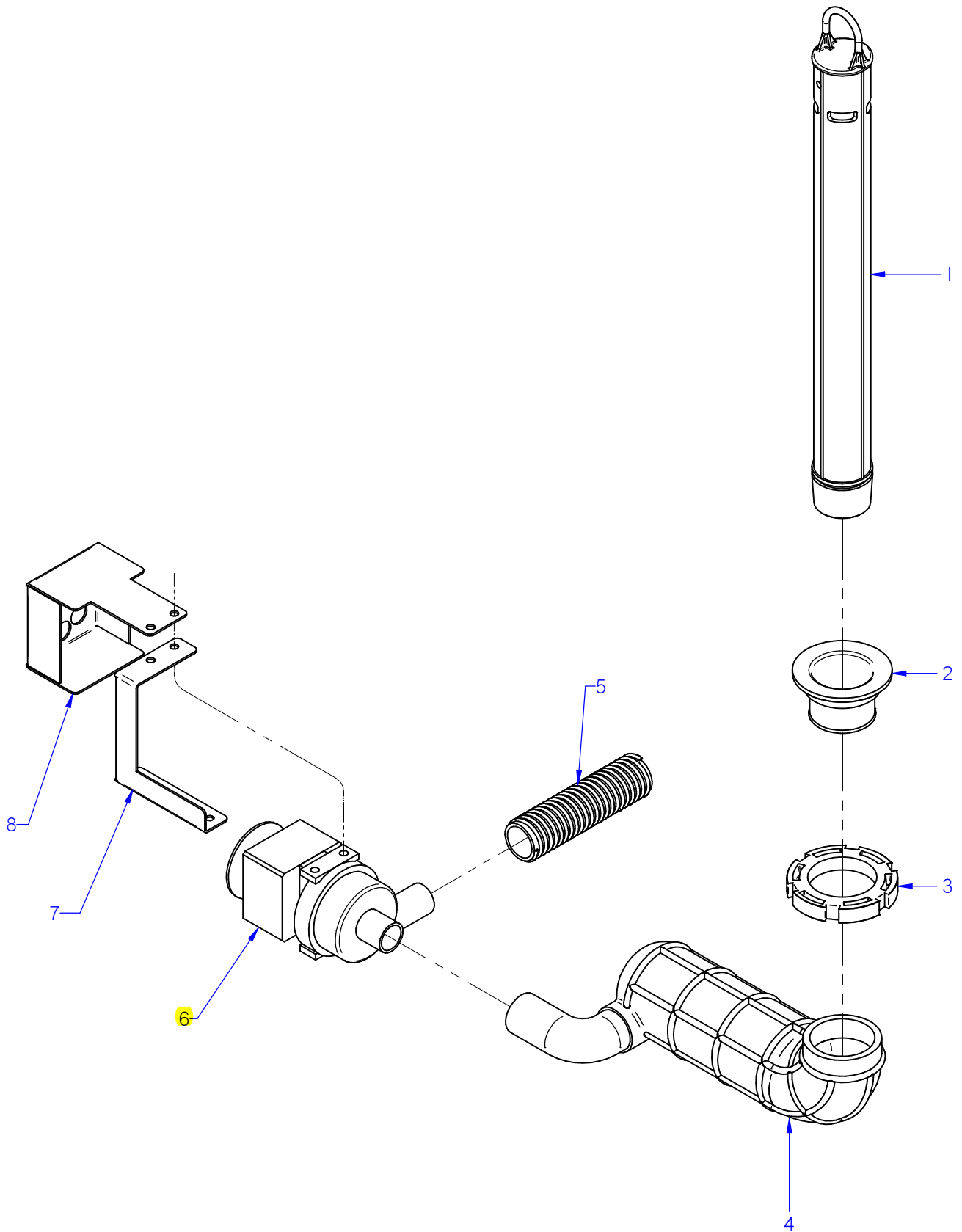
MOD.		LAVAVAJILLAS / DISWASHER		ZONA / ZONE		PARTE FUNCIONAL LAVADO WASH FUNCTIONAL PART								PLANO DIAGRAM		C-3180	
ITEM	CODIGO CODE	DENOMINACION	NAME	TECH-H500 HP	TECH-H500 HP W B DD								ELIMINADO ELIMINATED	INTRODUCID. INTRODUCED	NOTAS		
20	12024312	PASAMUROS	BUSHING	1	1												
	Q012044000	TORNILLO EXAGONAL M6x25	HEXAGONAL BOLT M6x25	4	4												
	Q262040000	ARANDELA GROW. A6 A.304	WASHER GROW. A6 A.304	4	4												
	Q162040000	TUERCA EXAGONAL M6	HEXAGONAL NUT M6	4	4												
21	12023741	CONDUCTO IMPULSION ANTER.	FRONT IMPULSE PIPE	1	1												
	Q881307000	ABRAZADERA 40-60	CLAMP 40-60	2	2												
22	12021804	SOPOR. MOTOBOMBA ANTERIOR	SUPPORT FRONT MOTOR-PUMP	1	1												
	Q012042000	TORNILLO EXAGONAL M6x15	HEXAGONAL BOLT M6x15	2	2												
	Q262040000	ARANDELA GROW. A6 A.304	WASHER GROW. A6 A.304	2	2												
	Q162040000	TUERCA EXAGONAL M6	HEXAGONAL NUT M6	2	2												
23	12023556	BASE BOMBA LAVADO 1003016	WASH PUMP BASE 1003016	2	2												
	Q232040000	ARANDELA A6	WASHER A6	4	4												
24	12024265	MOTOBOMBA 230V AC 1N 50Hz	MOTOR PUMP 230V AC 1N 50Hz	2	2												
25	12024376	CONDENSADOR 10 M,F,	CONDENSER 10 M,F,	2	2												
	Q162050000	TUERCA EXAGONAL M8x1 INOX,	HEXAGONAL NUT M8x1 INOX.	2	2												
26	12023625	CONDUCTO ASPIRACION	EXTRACTOR PIPE	2	2												
	Q881307000	ABRAZADERA 40-60	CLAMP 40-60	4	4												
27	12023537	TUERCA PASAMUROS	WALL BUSHING NUT	2	2												
28	12009960	ARANDELA 60x44x2	WASHER 60x44x2	2	2												
29	12025261	PASAMUROS ASPIRACION	EXTRACTOR BUSHING	2	2												
30	12022471	SOPORTE MOTOBOMBA POSTER.	REAR MOTOR PUMP SUPPORT	1	1												
	Q012042000	TORNILLO EXAGONAL M6x15	HEXAGONAL BOLT M6x15	2	2												
	Q232040000	ARANDELA A6	WASHER A6	2	2												
	Q162040000	TUERCA EXAGONAL M6	HEXAGONAL NUT M6	2	2												



ITEM MARCADO EN COLOR = REPUESTO RECOMENDADO  
 COLOURED ITEM = RECOMMENDED SPARE PART

N plano	Firma	Fecha	Aparato	PARTE FUNCIONAL DESAGÜE / DRAINAGE FUNCTIONAL PART	Lamina	
C-3181	<i>(Signature)</i>	2013-12	LAVAVAJILLAS	TECH-H500	5	



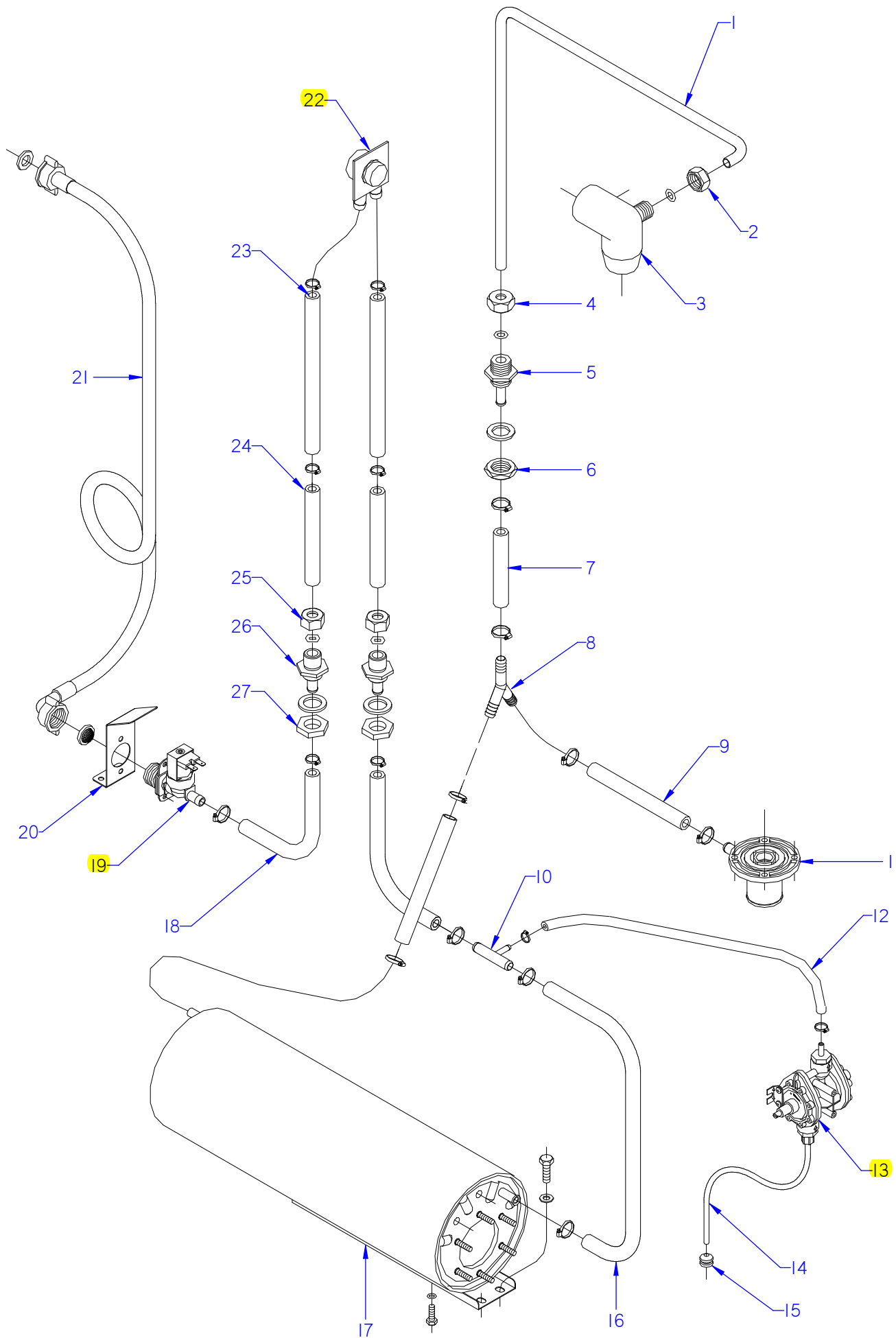


ITEM MARCADO EN COLOR = REPUESTO RECOMENDADO  
 COLOURED ITEM = RECOMMENDED SPARE PART

N plano	Firma	Fecha	Aparato	PARTE FUNCIONAL DESAGÜE / DRAINAGE FUNCTIONAL PART	Lamina	
C-3182	<i>(Signature)</i>	2013-12	LAVAVAJILLAS	TECH-H500 B / W	6	



MOD.	LAVAVAJILLAS DE CAPOTA PASS THROUGH DISHWASHER		ZONA / ZONE	PARTE FUNCIONAL DESAGÜE DRAINAGE FUNCTIONAL PART								PLANO DIAGRAM		C-3182
ITEM	CODIGO REFERENCE	DENOMINACION	DENOMINATION	TECH-H500 B	TECH-H500 HP W B DD							ELIMINADO ELIMINATED	INTRODUCID. INTRODUCED	NOTAS
1	12023658	ALIVIADERO	OVERFLOW	1	1									
	12010165	JUNTA TOR.36.17X41.41X2.6	O-RING 36.17X41.41X2.6	1	1									
2	12024234	PASAMUROS DESAGUE	DRAINAGE BUSHING	1	1									
	12009937	ARANDELA 72x56x2	WASHER 72x56x2	1	1									
3	12009844	TUERCA RANURADA	GROOVED NUT	1	1									
4	12024943	ACUMULADOR CAPOTA	HOOD ACCUMULATOR	1	1									
	Q881304000	ABRAZADERA 20-32	CLAMP 20-32	2	2									
5	12023666	MANGUERA DESAGUE	DRAINAGE HOSE	1	1									
	Q881307000	ABRAZADERA 40-60	CLAMP 40-60	1	1									
6	12023456	BOMBA DESAGUE	DRAINAGE PUMP	1	1									
	Q262040000	ARANDELA GROW. A6 A.304	WASHER GROW. A6 A.304	4	4									
	Q012042000	TORNILLO EXAGONAL M6x15	HEXAGONAL BOLT M6x15	4	4									
	Q032032000	TORNILLO ALOMADO M5x15	CURVED SCREW M5X15	2	2									
	Q242030000	ARANDELA ABANICO A5 A.304	FAN WASHER A5 A.304	2	2									
7	12021851	SOPORTE MOTOBOMBA	MOTOR PUMP SUPPORT	1	1									
8	12021942	PROTECCION BOMBA	PUMP PROTECTION	1	1									

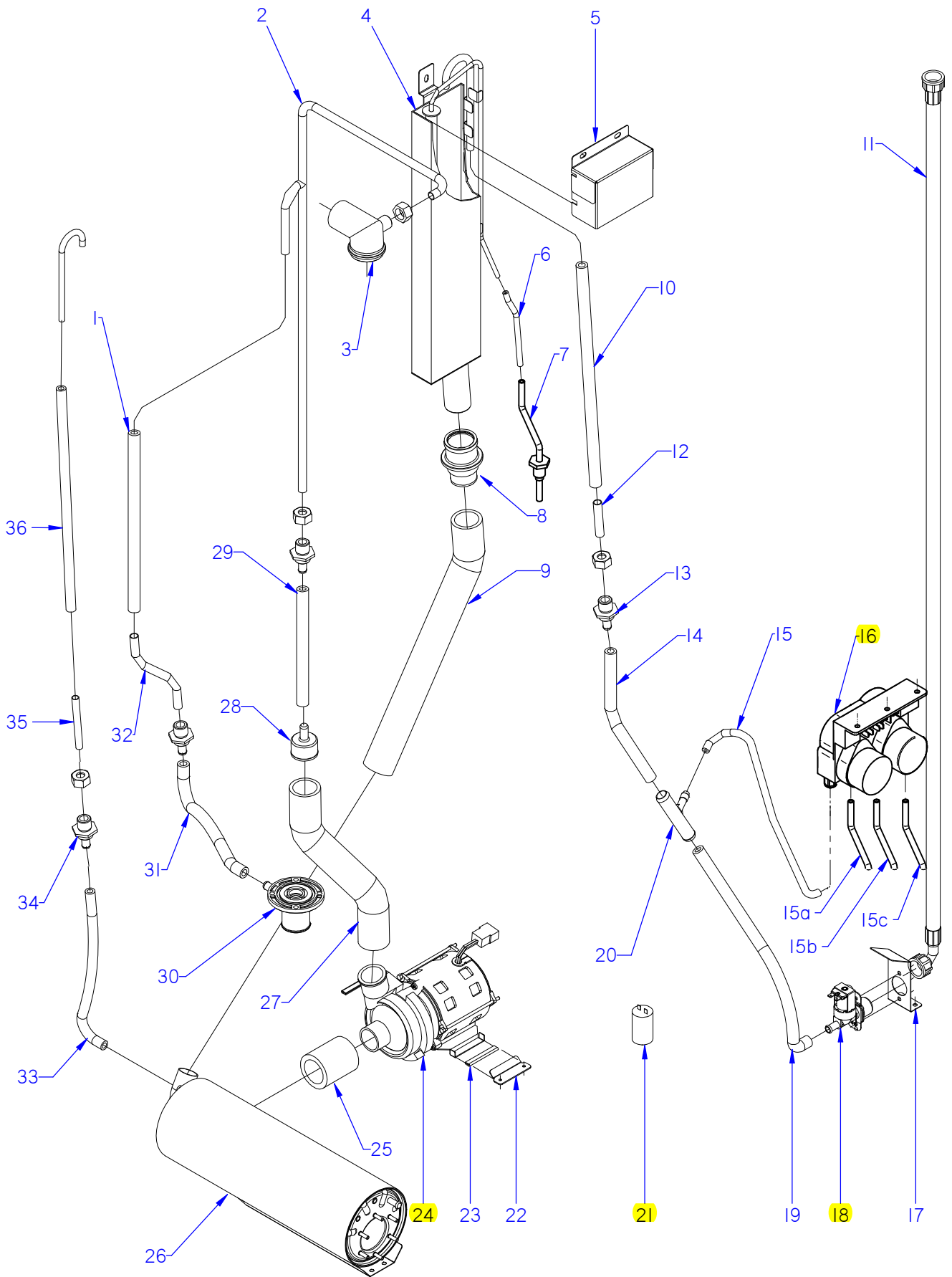


ITEM MARCADO EN COLOR = REPUESTO RECOMENDADO  
 COLOURED ITEM = RECOMMENDED SPARE PART

N plano	Firma	Fecha	Aparato	PARTE FUNCIONAL ACLARADO / RINSE FUNCTIONAL PART	Lamina	
C-3183	<i>name (signature)</i>	2013-12	LAVAVAJILLAS TECH-H500		5	

MOD.		LAVAVAJILLAS DE CAPOTA PASS THROUGH DISHWASHER		ZONA / ZONE		PARTE FUNCIONAL ACLARADO RINSE FUNCTIONAL PART				PLANO DIAGRAM		C-3183		
ITEM	CODIGO REFERENCE	DENOMINACION	DENOMINATION	TECH-H500	TECH-H500 B	TECH-H500 DD	TECH-H500 HP					ELIMINADO ELIMINATED	INTRODUCID. INTRODUCED	NOTAS
1	12025059	CONDUCCION	CONDUCTION	1	1	1	1							
2	12009819	TUERCA M.20x2.5	NUT M.20X2.5	1	1	1	1							
	12010256	JUNTA TORICA Ø9.12X16.18X3.53	O-RING Ø9.12X16.18X3.53	1	1	1	1							
3	12024927	SOPORTE DISTRIBUIDOR SUPER.	UPPER DISTRIBUTION SUPPORT	1	1	1	1							
	Q152004000	TORNILLO APLAST. M5x13 A.304	MUSHROOM HEAD BOLT M5x13 A	1	1	1	1							
	Q242030000	ARANDELA ABANICO A5 A.304	FAN WASHER A5 A.304	1	1	1	1							
4	12009819	TUERCA M.20x2.5	NUT M.20X2.5	1	1	1	1							
	12010256	JUNTA TORICA Ø9.12X16.18X3.53	O-RING Ø9.12X16.18X3.53	1	1	1	1							
5	12024395	PASAMUROS ACLARADO	RINSE BUSHING	1	1	1	1							
	12009947	JUNTA Ø 32X21X3	SEAL Ø 32X21X3	1	1	1	1							
6	12007871	TUERCA EXAGONAL 5-8 LATON	HEX NUT 5-8 BRASS	1	1	1	1							
7	11000083	TUBO GOMA NEGRA Ø 17*10	BLACK RUBBER PIPE 17*10	1	1	1	1							
	12010036	ABRAZADERA 12-20	CLAMP 12-20	2	2	2	2							
8	12023511	RACORD EN Y	Y-CONNECTION	1	1	1	1							
9	11000083	TUBO GOMA NEGRA Ø 17*10	BLACK RUBBER PIPE 17*10	2	2	2	2							
	12010036	ABRAZADERA 12-20	CLAMP 12-20	4	4	4	4							
10	12025288	TOMA PRESION	PRESSURE INTAKE	1	1	1	1							
11	12024312	PASAMUROS	BUSHING	1	1	1	1							
	Q012044000	TORNILLO EXAGONAL M6x25	HEXAGONAL BOLT M6x25	4	4	4	4							
	Q306050000	ARANDELA 6x12x1.5	WASHER 6x12x1.5	4	4	4	4							
	Q232040000	ARANDELA A6	WASHER A6	4	4	4	4							
	Q162040000	TUERCA EXAGONAL M6	HEXAGONAL NUT M6	4	4	4	4							
12	11000070	TUBO GOMA NEGRO D 10,5*5	BLACK RUBBER PIPE Ø 10.5*5	1	1	1	1							
	12010047	ABRAZADERA 8-14L	CLAMP 8-14L	2	2	2	2							
13	12045206	DOSIFICADOR ABRILLANTADOR	RINSE AID DISPENSER	1	1	1	1							
	Q232030000	ARANDELA A5	WASHER A5	2	2	2	2							
	Q012031000	TORNIL. EXAGONAL M5x10 A.304	HEXAGONAL BOLT M5X10 A.304	4	4	4	4							
	Q163020000	TUERCA EXAGONAL M4 LATON	HEXAGONAL NUT M4 BRASS	2	2	2	2							
14	12025178	CONDUCTO ABRILLANTADOR	RINSE AID PIPE	1	1	1	1							
15	12024353	PESO FILTRO	FILTER WEIGHT	1	1	1	1							

MOD.		LAVAVAJILLAS DE CAPOTA PASS THROUGH DISHWASHER		ZONA / ZONE		PARTE FUNCIONAL ACLARADO RINSE FUNCTIONAL PART				PLANO DIAGRAM		C-3183		
ITEM	CODIGO REFERENCE	DENOMINACION	DENOMINATION	TECH-H500	TECH-H500 B	TECH-H500 DD	TECH-H500 HP					ELIMINADO ELIMINATED	INTRODUCID. INTRODUCED	NOTAS
16	11000083	TUBO GOMA NEGRA Ø 17*10	BLACK RUBBER PIPE 17*10	1	1	1	1							
	12010036	ABRAZADERA 12-20	CLAMP 12-20	2	2	2	2							
17	12022943	CALDERIN COMPLETO	COMPLETE DRUM	1	1	1	1							
	Q012031000	TORNIL. EXAGONAL M5x10 A.304	HEXAGONAL BOLT M5X10 A.304	2	2	2	2							
	Q232030000	ARANDELA A5	WASHER A5	2	2	2	2							
	Q012063000	TORNIL. EXAGONAL M10x20 A.304	HEXAGONAL BOLT M10X20 A.304	1	1	1	1							
	12010256	JUNTA TORICA Ø9.12X16.18X3.53	O-RING Ø9.12X16.18X3.53	1	1	1	1							
18	11000083	TUBO GOMA NEGRA Ø 17*10	BLACK RUBBER PIPE 17*10	2	2	2	2							
	12010036	ABRAZADERA 12-20	CLAMP 12-20	4	4	4	4							
19	12025161	ELECTR. SIMP.220V COD.255.208	SOLENOID VALVE SIMP.220V CO	1	1	1	1							
20	12022229	ESCUADRA AMARRE ELECTROVA	SOLENOID VALVE BRACKET	1	1	1	1							
	Q152024000	TORN. AVELLANADO M4x8 A.304	HEXAGONAL COUNTERSUNK M4	2	2	2	2							
	Q242020000	ARANDELA ABANICO A4 A.304	FAN WASHER A4 A.304	2	2	2	2							
	Q012031000	TORNIL. EXAGONAL M5x10 A.304	HEXAGONAL BOLT M5X10 A.304	2	2	2	2							
	Q232030000	ARANDELA A5	WASHER A5	2	2	2	2							
21	12024115	MANGUERA ENTRADA AGUA	WATER INTAKE HOSE	1	1	1	1							
22	12024568	VALVULA ANTIRRETORNO	NON-RETURN VALVE	1	1	1	1							
	Q881302000	ABRAZADERA 12/20	CLAMP 12/20	2	2	2	2							
S/Nº	12021986	SOPORTE VALVULA A.R.	VALVE SUPPORT A.R.	1	1	1	1							
23	11000083	TUBO GOMA NEGRA Ø 17*10	BLACK RUBBER PIPE 17*10	2	2	2	2							
	12041731	ABRAZADERA INOX 12-22	CLAMP INOX 12-22	4	4	4	4							
24	12022406	TUBO EMPALME	CONNECTION PIPE	2	2	2	2							
25	12009819	TUERCA M.20x2.5	NUT M.20X2.5	2	2	2	2							
	12010256	JUNTA TORICA Ø9.12X16.18X3.53	O-RING Ø9.12X16.18X3.53	2	2	2	2							
26	12024395	PASAMUROS ACLARADO	RINSE BUSHING	2	2	2	2							
	12009947	JUNTA Ø 32X21X3	SEAL Ø 32X21X3	2	2	2	2							
27	12007871	TUERCA EXAGONAL 5-8 LATON	HEX NUT 5-8 BRASS	2	2	2	2							



ITEM MARCADO EN COLOR = REPUESTO RECOMENDADO  
 COLOURED ITEM = RECOMMENDED SPARE PART

N plano	Firma	Fecha	Aparato	PARTE FUNCIONAL ACLARADO / RINSE FUNCTIONAL PART	Lamina	
C-3184	<i>[Signature]</i>	2013-12	LAVAVAJILLAS	TECH-H500 HP W B DD	8	

MOD.		LAVAVAJILLAS DE CAPOTA PASS THROUGH DISHWASHER		ZONA / ZONE		PARTE FUNCIONAL ACLARADO RINSE FUNCTIONAL PART						PLANO DIAGRAM		C-3184	
ITEM	CODIGO REFERENCE	DENOMINACION	DENOMINATION	TECH-H500 HP W B DD								ELIMINADO ELIMINATED	INTRODUCID. INTRODUCED	NOTAS	
1	11000083	TUBO GOMA NEGRA Ø 17*10	BLACK RUBBER PIPE 17*10	1											
	12010036	ABRAZADERA 12-20	CLAMP 12-20	2											
2	12023070	RAMA DE ACLARADO CLINIC	RINSE BRANCH	1											
3	12024934	SOPORTE DISTRIBUIDOR SUPER.	UPPER DISTRIBUTION SUPPORT	1											
4	12001044	DEPOSITO CLINIC COMPLETO	CLINIC FULL TANK	1											
S/Nº	12008220	CAÑO	SPOUT	1											
5	12001504	TAPA DEPOSITO CLINIC	CLINIC TANK TOP	1											
	Q162040000	TUERCA EXAGONAL M6	HEXAGONAL NUT M6	3											
6	11000066	TUBO DE GOMA Ø 8*4 x140	RUBBER PIPE Ø 8*4 x140	1											
	12023707	BRIDA ELASTICA TUBO	ELASTIC PIPE FLANGE	1											
7	12003992	PASAMUROS PRES. CLINIC	CLINIC BUSHING	1											
	12010260	JUNTA 18x12.5x1.5	SEAL 18x12.5x1.5	1											
8	12025029	PASAMUROS IMPULSION PRELAV.	PREWASH IMPULSE BUSHING	1											
	12023537	TUERCA PASAMUROS	BUSHING NUT	1											
	12009960	ARANDELA 60x44x2	WASHER 60x44x2	1											
	12010172	JUNTA TORICA 43,01x37,77x2,62	O-RING 43,01x37,77x2,62	1											
	12009962	ABRAZADERA 40*60	CLAMP 40*60	1											
9	12023709	CONDUCTO DEPOSITO-CALDERIN	PIPE-COPPER DEPOSIT	1											
	Q881307000	ABRAZADERA 40*60	CLAMP 40*60	2											
10	11000083	TUBO GOMA NEGRA Ø 17*10	BLACK RUBBER PIPE 17*10	1											
	12010036	ABRAZADERA 12*20	CLAMP 12-20	2											
11	12024115	MANGUERA ENTRADA DE AGUA	WATER INTAKE HOSE	1											
12	12022251	TUBO ENTRADA AGUA	WATER INTAKE PIPE	1											
	12010256	JUNTA TORICA 9.12x16.18x3.53	O-RING Ø9.12X16.18X3.53	4											
13	12024395	PASAMUROS ACLARADO	RINSE BUSHING	2											
	12009947	JUNTA 32x21x3	SEAL Ø 32X21X3	2											
	12007871	TUERCA EXAGONAL 5-8 LATON	HEX NUT 5-8 BRASS	2											
14	11000083	TUBO GOMA NEGRA Ø 17*10	BLACK RUBBER PIPE 17*10	1											
	12010036	ABRAZADERA 12*20	CLAMP 12-20	4											
15	11000148	CONDUCTO ABRILLAN. AZUL Ø 6X4	BLUE RINSE CONDUIT Ø 6X4	1											
15a	12024139	CONDUCT. ASPIRACIÓN AZKOYEN	DUCT INTAKE AZKOYEN	1											

MOD.	LAVAVAJILLAS DE CAPOTA PASS THROUGH DISHWASHER		ZONA / ZONE	PARTE FUNCIONAL ACLARADO RINSE FUNCTIONAL PART							PLANO DIAGRAM	C-3184	
ITEM	CODIGO REFERENCE	DENOMINACION	DENOMINATION	TECH-H500 HP W B DD							ELIMINADO ELIMINATED	INTRODUCID. INTRODUCED	NOTAS
15b	11000079	CONDUCTO DOSIF. TRANSPAREN	TRANSPAR. EXTRACTOR PIPE	1									
15c	12024139	CONDUCT. ASPIRACION AZKOYEN	DUCT INTAKE AZKOYEN	1									
16	12024274	DOSIFICADOR DGTE ABRILLANT.	DETERGENT DISPENSER RINS.	1									
17	12022229	ESCUADRA AMARRE ELECTROVA	SOLENOID VALVE BRACKET	1									
	Q152024000	TORNILLO AVELLAN. M4x8 A304	HEXAGONAL COUNTERSUNK M4	2									
	Q012031000	TORNILLO EXAGONAL. M5x10 A304	HEXAGONAL BOLT M5X10 A.304	2									
	Q232030000	ARANDELA A5	WASHER A5	2									
18	12025161	E.V. SIMPLE 0V COD. 255.208	SOLENOID VALVE SIMP.220V CO	1									
	12044690	REGULADOR DE CAUDAL 10L	FLOW REGULATOR 10L	1									
19	11000083	TUBO GOMA NEGRA 17*10	BLACK RUBBER PIPE 17*10	1									
	12010036	ABRAZADERA 12*20	CLAMP 12-20	4									
20	12005290	TE TOMA PRESION	PRESSURE INTAKE T	1									
21	12024346	CONDENSADOR 6 M,F,	CONDENSER 6 M,F,	1									
22	12021966	SOPORTE MOTOBOMBA CLINIC	CLINIC MOTOR PUMP SUPP.	1									
	Q152024000	TORNILLO AVELLAN. M4x8 A304	HEXAGONAL COUNTERSUNK M4	2									
23	11000081	PERFIL GOMA NEGRO EN U 9*4	BLACK RUBBER PROFILE IN U 9	2									
24	12023429	BOMBA LAVADO	WASH PUMP	1									
25	12023567	CONDUCTO SUPERIOR	SUPERIOR DUCT	1									
	Q881307000	ABRAZADERA 40*60	CLAMP 40*60	2									
26	12022973	CALDERIN COMPLETO BBT.	COMPLETE DRUM	1									
27	12024938	CONDUCTO IMPULSION CLINIC	DRIVE THROUGH CLINIC	1									
	Q881307000	ABRAZADERA 40*60	CLAMP 40*60	2									
28	12023967	REDUCCION	REDUCTION	1									
29	11000083	TUBO GOMA NEGRA 17*10	BLACK RUBBER PIPE 17*10	2									
	12010036	ABRAZADERA 12*20	CLAMP 12-20	4									
30	12024312	PASAMUROS	BUSHING	1									
31	11000083	TUBO GOMA NEGRA 17*10	BLACK RUBBER PIPE 17*10	1									
	12010036	ABRAZADERA 12*20	CLAMP 12-20	2									
32	12023780	TUBO PAS. ACLARADO CLINIC	CLINIC RINSE PIPE	1									
33	11000083	TUBO GOMA NEGRA 17*10	BLACK RUBBER PIPE 17*10	1									
	12010036	ABRAZADERA 12*20	CLAMP 12-20	2									

MOD.

LAVAVAJILLAS DE CAPOTA  
PASS THROUGH DISHWASHER

ZONA / ZONE

PARTE FUNCIONAL ACLARADO  
RINSE FUNCTIONAL PART

PLANO  
DIAGRAM

C-3184

ITEM	CODIGO REFERENCE	DENOMINACION	DENOMINATION	TECH-H500 HP W B DD								ELIMINADO ELIMINATED	INTRODUCID. INTRODUCED	NOTAS
34	12024999	PASAMUROS ACLARADO CLINIC	CLINIC RINSE BUSHING	2										
	Q223107000	TUERCA M.20x2.5	NUT M.20X2.5	2										
	12010191	JUNTA TUBO 14X24X3	PIPE SEAL 14X24X3	2										
35	12023060	TUBO PASAM. CALDER. CLINIC	CLINIC RINSE PIPE	1										
	12010256	JUNTA TORICA 9.12x16.18x3.53	O-RING Ø9.12X16.18X3.53	1										
36	11000083	TUBO GOMA NEGRA 17*10	BLACK RUBBER PIPE 17*10	1										
	12010036	ABRAZADERA 12*20	CLAMP 12-20	2										



N plano  
C-3185

Firma  
*(Signature)*

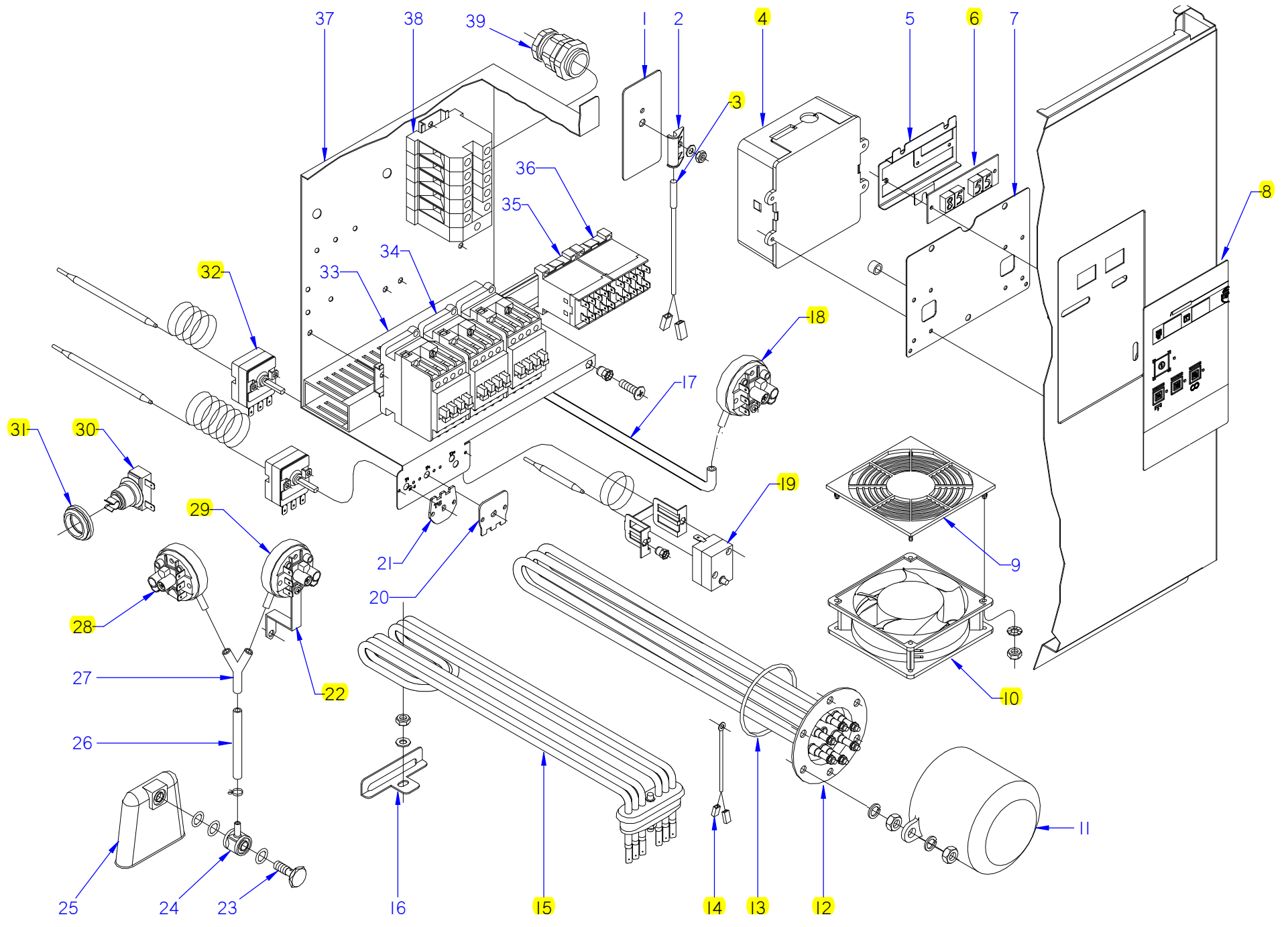
Fecha  
2013-12

Aparato  
PARTE FUNCIONAL ELECTRICA / ELECTRICS FUNCTIONAL PART  
LAVAVAJILLAS TECH-H500

Lamina  
9

asber

ITEM MARCADO EN COLOR = REPUESTO RECOMENDADO  
COLOURED ITEM = RECOMMENDED SPARE PART



MOD.		LAVAVAJILLAS / DISWASHER	ZONA / ZONE	PARTE FUNCIONAL ELECTRICA ELECTRICS FUNCTIONAL PART					PLANO DIAGRAM	C-3185			
ITEM	CODIGO REFERENCE	DENOMINACION	DENOMINATION	TECH-H500	TECH-H500 B	TECH-H500 DD	TECH-H500 HP	TECH-H500 HP W B DD			ELIMINADO ELIMINATED	INTRODUCID. INTRODUCED	NOTAS
1	12022312	APOYO INTERRUPTOR	SWITCH SUPPORT	1	1	1	1	1					
2	12024066	AMARRE INTERRUPTOR MAGNET.	MAGNETIC SWITCH FASTENER	1	1	1	1	1					
	Q232040000	ARANDELA A-6	WASHER A-6	1	1	1	1	1					
	Q162040000	TUERCA EXAGONAL M-6	HEXAGONAL NUT M-6	1	1	1	1	1					
3	12024477	INTERRUPTOR MAGNETICO	MAGNETIC SWITCH	1	1	1	1	1					
4	12008750	CONTROL TARJETA 230V AC 50/60	CONTROL CARD 230V AC 50/60	1	1	1	1	1					
	Q232020000	ARANDELA A4	WASHER A4	4	4	4	4	4					
	Q242020000	ARANDELA ABANICO A5 A.304	FAN WASHER A5 A.304	4	4	4	4	4					
	Q042022000	TORN. AVELLANADO M4X15	HEXAGONAL COUNTERSUNK M4	4	4	4	4	4					
	12023500	CASQUILLO SEPARADOR B	SEPARATOR BUSHING B	4	4	4	4	4					
5	12022220	SOPORTE DISPLAY CAPOTA	HOOD DISPLAY SUPPORT	1	1	1	1	1					
S/Nº	12025260	DISTANCIADOR M3	SPACER	3	3	3	3	3					
6	12024028	VISUALIZADOR 12V DC 50Hz 4dig 7	DISPLAY 12V DC 50Hz 4dig 7s	1	1	1	1	1					
7	12022299	SOPORTE PROGRAMADOR RELE	RELAY PROGRAMMER SUPPORT	1	1	1	1	1					
8	12091644	EMBELLEC. ADHESIVO TECH	ADHESIVE TRIM TECH	1	1	1	1	1					
9	12025177	PROTECCION VENTILADOR ABS	FAN PROTECTION ABS	1	1	1	1	1					
	Q042022000	TORNILLO AVELLANADO M4x15	COUNTERSUNK BOLT M4x15	8	8	8	8	8					
	Q162020000	TUERCA EXAGONAL M4	HEXAGONAL NUT M4	12	12	12	12	12					
	Q242020000	ARANDELA ABANICO A-4 A304	FAN WASHER A-4 A304	8	8	8	8	8					
10	12023862	VENTILADOR 230V,50/60 HZ	FAN 230V,50/60 HZ	1	1	1	1	1					
11	12024282	CAPERUZA RESISTEN. CALDERIN	DRUM RESIST. CAP	1	1	1	1	1					
	Q163140000	TUERCA EXAGONAL M6 LATON	HEXAGONAL NUT M6 BRASS	2	2	2	2	2					
	Q012031000	TORNIL. EXAGONAL M5x10 A.304	HEXAGONAL BOLT M5X10 A.304	2	2	2	2	2					
	Q232030000	ARANDELA A-5	WASHER A-5	2	2	2	2	2					
12	12024732	RESISTENCIA CALDERIN	DRUM RESISTOR	1	1	1							
12	12024146	RESISTENCIA CAD. 12KW.	RESISTOR CAD. 12KW.				1	1					
	Q221305000	TUERCA EX, AUTO. M4 ZINCADA	HEX NUT , AUTO. M4 ZINC-COAT	6	6	6	6	6					
	Q163140000	TUERCA EXAGONAL M6 LATON	HEXAGONAL NUT M6 BRASS	6	6	6	6	6					
	Q262040000	ARANDELA GROW. A6 A,304	WASHER GROW. A6 A.304	6	6	6	6	6					
13	12010051	JUNTA TORICA AN-36 282333	O-RING AN-36 282333	1	1	1	1	1					
14	12025036	SONDA 64KOhmio NTC	SENSOR 64KOhmio NTC	1	1	1	1	1					

MOD.		LAVAVAJILLAS / DISWASHER		ZONA / ZONE		PARTE FUNCIONAL ELECTRICA ELECTRICS FUNCTIONAL PART					PLANO DIAGRAM		C-3185	
ITEM	CODIGO REFERENCE	DENOMINACION	DENOMINATION	TECH-H500	TECH-H500 B	TECH-H500 DD	TECH-H500 HP	TECH-H500 HP W B DD				ELIMINADO ELIMINATED	INTRODUCID. INTRODUCED	NOTAS
15	12023778	RESISTENCIA TANQUE	TANK RESISTOR	1	1	1	1	1						
16	12021914	SOPORTE RESISTENCIA TANQUE	TANK RESISTOR SUPPORT	1	1	1	1	1						
	Q232040000	ARANDELA A,6	WASHER A,6	1	1	1	1	1						
	Q162040000	TUERCA EXAGONAL M6	HEXAGONAL NUT M6	1	1	1	1	1						
17	11000066	TUBO DE GOMA 8x4 D8*4	RUBBER PIPE 8x4 D8*4	-	-	-	-	1						
	12023707	BRIDA ELASTICA TUBO	ELASTIC PIPE FLANGE	-	-	-	-	2						
18	12024269	TRIPLE PRESOTATO 40-120-150	TRIPLE PRESSOST. 4 0-120-150	-	-	-	-	1						
19	12023830	TERMOSTATO SEGURIDAD 125°C	SECURITY THERMOSTAT 125°C	1	1	1	1	1						
S/Nº	12022151	AMARRE LIMITADOR TECASA	LIMITER FASTENING TECASA	1	1	1	1	1						
	Q152024000	TORNILLO AVELLANADO M4x8	COUNTERSUNK BOLT M4x8	2	2	2	2	2						
20	12044848	REGULADOR A 60°C Tc DE 85°C	REGULATOR 60°C Tc DE 85°C	1	1	1	1	1						
21	12021987	CHAPA W 85°C	PLATE W 85°C	-	-	-	1	1						
22	12023163	SOPORTE PRESOSTATO	PRESSURE SWITCH SUPPORT	1	1	1	1	1						
	Q082032000	TORNILLO ALOMADO BZ-3,5x9,5	CURVED SCREW BZ-3.5x9.5	1	1	1	1	1						
	Q162040000	TUERCA EXAGONAL M6	HEXAGONAL NUT M6	1	1	1	1	1						
23	12024222	TORNILLO PRESOSTATO	PRESSURE SWITCH BOLT	1	1	1	1	1						
24	12024157	EMPALME PRESOSTATO	PRESSURE SWITCH CONNEX	1	1	1	1	1						
	12009873	JUNTA TOR.16,01x10,77x2,62	O-RING 16.01x10.77x2.62	3	3	3	3	3						
25	12024350	CAMARA PRESOSTATO	PRESSURE SWITCH	1	1	1	1	1						
26	11000066	TUBO DE GOMA 8x4 D8*4	RUBBER PIPE 8x4 D8*4	1	1	1	1	1						
	12023707	BRIDA ELASTICA TUBO	ELASTIC PIPE FLANGE	2	2	2	2	2						
27	12023510	RACORD EN Y	Y-CONNECTION	-	1	-	-	1						
28	12023856	PRESOTATO SEGURIDAD	SAFETY PRESSOSTAT	-	1	-	-	1						
29	12023804	PRESOSTATO SIMPLE	SIMPLE PRESSURE SWITCH	1	1	1	1	1						
30	12046165	TERMOSTATO SEGURIDAD 115°C	SECURITY THERMOSTAT 115°C	1	1	1	1	1						
31	12024049	SOPORTE TERMOSTATO 1001713	THERMOSTAT SUPPORT 1001713	1	1	1	1	1						
S/Nº	12024430	TAPON	COVER	-	-	-	1	1						
32	12040858	TERMOSTATO CALDERIN	WASH DRUM THERMOSTAT	2	2	2	2	2						
	Q152024000	TORNILLO AVELLANADO M4x8	COUNTERSUNK BOLT M4x8	2	2	2	2	2						

MOD.	LAVAVAJILLAS / DISWASHER		ZONA / ZONE	PARTE FUNCIONAL ELECTRICA ELECTRICS FUNCTIONAL PART					PLANO DIAGRAM		C-3185			
ITEM	CODIGO REFERENCE	DENOMINACION	DENOMINATION	TECH-H500	TECH-H500 B	TECH-H500 DD	TECH-H500 HP	TECH-H500 HP W B DD				ELIMINADO ELIMINATED	INTRODUCID. INTRODUCED	NOTAS
33	11000162	CANALETA UNEX 60,30,77	PIPING UNEX 60.30.77	3	3	3	3	3						
	Q419005000	REMACHE 4x8 ALMG3 / ALUMINIO	RIVET 4X8 ALMG3 / ALUMINIUM	4	4	4	4	4						
	Q221342000	REMACHE EXAGONAL M5	HEXAGONAL RIVET M5	1	1	1	1	1						
	Q232040000	ARANDELA A6	WASHER A6	2	2	2	2	2						
	Q162040000	TUERCA EXAGONAL M6	HEXAGONAL NUT M6	2	2	2	2	2						
	Q152004000	TORNILL, APLASTADO M5x13 A304	FLAT HEADED BOLT M5x13 A304	1	1	1	1	1						
	12024394	REGLETA 6 mm.	STRIP 6 mm.	1	1	1	1	1						
	12023583	BASE UNEX 1252	BASE UNEX 1252	2	2	2	2	2						
S/Nº	12022567	GUIA CONTACTOR L-100	CONTACTOR GUIDE L-100	1	1	1	1	1						
S/Nº	12022303	GUIA CONTACTOR L-120	CONTACTOR GUIDE L-120	1	1	1	1	1						
34	12024040	CONTAC. SIRIUS 3R 230V.50-60	CONTACT. SIRIUS 3R 230V.50-60	3	3	3	3	3						
35	12024011	CONTACTOR 230 V. 50-60 HZ	CONTACTOR 230 V. 50-60 HZ	1	1	1	1	1						
36	12023706	RELE 230V. 16A-60 HZ	RELAY 230V. 16A-60 HZ	1	1	1	1	1						
37	12022539	CAJA CUADRO ELECTRICO	SWITCHBOARD BOX	1	1	1	1	1						
38	12025214	BORNA 16	TERMINAL 16	3	3	3	3	3						
	12025191	BORNA PASO WDU16 10204,8	STEP TERMINAL WDU16 10204.8	1	1	1	1	1						
	12023727	BORNA A TIERRA WEIDMULLER	TERMINAL TO EARTH WEIDMULL	1	1	1	1	1						
	12025158	BORNAS PORTA FUSIBLES	FUSE HOLDER TERMINALS FUSE	2	2	2	2	2						
	12040923	BORNAS PORTA FUSIBLES 13A 4	FUSE HOLDER TERMINALS 13A	2	2	2	2	2						
	12040926	FUSIBLE 0,50A Ø5MM 20X5 UL	FUSE 0.50A UL 20X5 Ø5MM	4	4	4	4	4						
	12024152	FUSIBLE CRISTAL 10A.	FUSE HOLDER TERMINALS	2	2	2	2	2						
39	12009927	PRENSA ESTOPAS	STUFFING BOX	1	1	1	1	1						

MOD.	LAVAVAJILLAS DE CAPOTA PASS THROUGH DISHWASHER			ZONA / ZONE	VARIOS / MISCELLANEOUS					PLANO DIAGRAM				
ITEM	CODIGO REFERENCE	DENOMINACION	DENOMINATION	TECH-H500	TECH-H500 B	TECH-H500 DD	TECH-H500 HP	TECH-H500 HP W B DD				ELIMINADO ELIMINATED	INTRODUCID. INTRODUCED	NOTAS
	12092272	FOLLETO INSTRUCCIONES TECH	INSTRUCTION LEAFLET TECH	1	1	1	1	1						
	12022196	ESQUEMA TEORICO AD	THEORETICAL DIAGRAM AD.	1	1	1	1	1						
	12005259	PLANO DE MONTAJE AD	ASSEMBLY PLAN AD	1	1	1	1	1						
	12023743	INSTALACION ELECTRICA AD	ELEC. INSTALATION AD	1	1	1	1	1						
	12024887	CABLEADO CALDERIN AD-120	DRUM AD-120 WIRING	1	1	1	1	1						
	12009946	CABLE TENSOR	TENSIONER WIRING	1	1	1	1	1						
	12023672	CABLE CONEXIÓN PLACA-DISPLAY	DISPLAY CONNECTI. WIRING	1	1	1	1	1						
	12024183	CABLEADO TIERRA M.BOMBA	PUMP LAND WIRING	1	1	1	1	1						
	12022197	LEYENDA CAPOTA	HOOD LEGEND	1	1	1	1	1						